

DATA CONTAINED IN THIS DOCUMENT IS PROPRIETARY TO TROMPETER ELECTRONICS, INC. AND SHALL NOT BE DISCLOSED, COPIED OR USED FOR PROCUREMENT OR MANUFACTURE WITHOUT EXPRESS WRITTEN PERMISSION.

REV	ED	DESCRIPTION	OWN	APPROVED	DATE
A		PRODUCTION RELEASE	TCS		

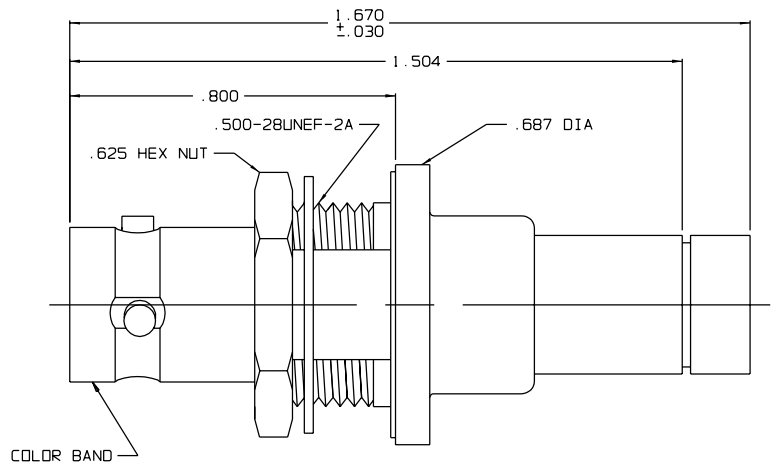
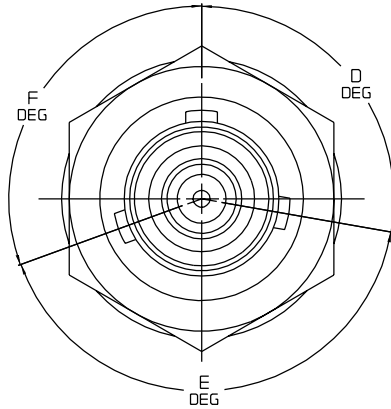
3-0295 SH 1

TABLE 1		
DASH NO	CABLES ACCOMMODATED	ASSEMBLE PER
-201	M17/176-00002	TAI-206
-202	TWC-78-1	
-203	TWC-124-1A	
-204	10602, RAYCHEM	
-205	TWAC-78-1F2	
-206	782600130, RAYCHEM	
-207	83310, BELDEN	
-208	202-3927, MICRODDT	
-209	202-3942, MICRODDT	
-210	8451, BELDEN	
-211	202-3934, MICRODDT	
-212	2524E0114, RAYCHEM	
-213	TWC-78-2	
-214	TWC-124-2	
-215	BL982, TIMES	
-216	BL1242, TIMES	
-217	GC875TM24H, GRUMMAN	
-218	EDP221888, RAYCHEM	
-219	2526D1114, RAYCHEM	
-220	GC875RR1, GRUMMAN	
-221	10614, RAYCHEM	
-222	10613, RAYCHEM	
-223	HMS2-1149, HUGHES	
-224	TWCP-124-3	
-225	PS665PL, PRIME STOCK	

TABLE 2		
MILITARY PART NO (PIN)	MILITARY CABLE PART NO	TROMPETER PART NO (REF ONLY)
M49142/05-0016	M17/45-RG108	MBJ79MC-213
M49142/05-0116	M17/45-RG108	MBJ79MCS-213
M49142/05-0216	M17/45-RG108	MBJ79MCS-213
M49142/05-0017	M17/176-00002	MBJ79MC-201
M49142/05-0117	M17/176-00002	MBJ79MCS-201
M49142/05-0217	M17/176-00002	MBJ79MCS-201

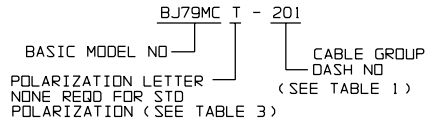
TABLE 3				
POLARIZATION CHART				
KEY LETTER	D DEGREES	E DEGREES	F DEGREES	COLOR BAND
NONE	120°	120°	120°	NONE
T	100°	150°	110°	RED
U	120°	130°	110°	DRANGE
V	115°	130°	115°	YELLOW
W	125°	110°	125°	GREEN
X	130°	100°	130°	BLUE
Y	110°	140°	110°	VIOLET
Z	100°	160°	100°	GRAY
S	135°	135°	90°	WHITE

INCH	MM
.005	0.13
.030	0.76
.109	2.77
.218	5.54
.221	5.61
.296	7.52
.505	12.83
.510	12.95
.625	15.88
.687	17.45
.800	20.32
1.504	38.20
1.670	42.42

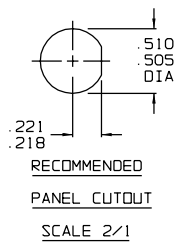


6. WHEN CONNECTOR IS SUPPLIED TO MILITARY PART NO (SEE TABLE 2):
- a) ALL PARTS NORMALLY PLATED TFS-1A OR TFS-1U (NICKEL) ARE TO BE PLATED TFS-1M (SILVER)
 - b) MARK PART WITH MILITARY PIN (SEE TABLE 2) AND "14949"
 - c) QUALITY CONFORMANCE INSPECTION SHALL BE PER MIL-C-49142 SECTION 4.5

5. EXAMPLE OF COMPLETE MODEL NO:



- 4. MAX PANEL THK .109
- 3. CONCENTRIC TWINAX 3-LUG TRB, MILITARY FULL CRIMP CABLE RECEPTACLE
- 2. FINISH: TFS-1A (NICKEL) 6
- 1. ALL DIMENSIONS ARE IN INCHES



QTY	DESCRIPTION	PART NUMBER	ITEM
TOL UNLESS SPECIFIED .XX ± .XXX ± .005 .XXXX ± ANGLES ±	TROMPETER ELECTRONICS, INC.	BJ79MC/T/U/V/ W/X/Y/Z/S	
DWN TCS 12/4/95	MATERIAL	CODE IDENT	DRAWING NO.
CHK	1	14949	3-0295
ENGR			A
NEXT ASSY	APPR	SCALE 4/1	DATE SHEET 1C